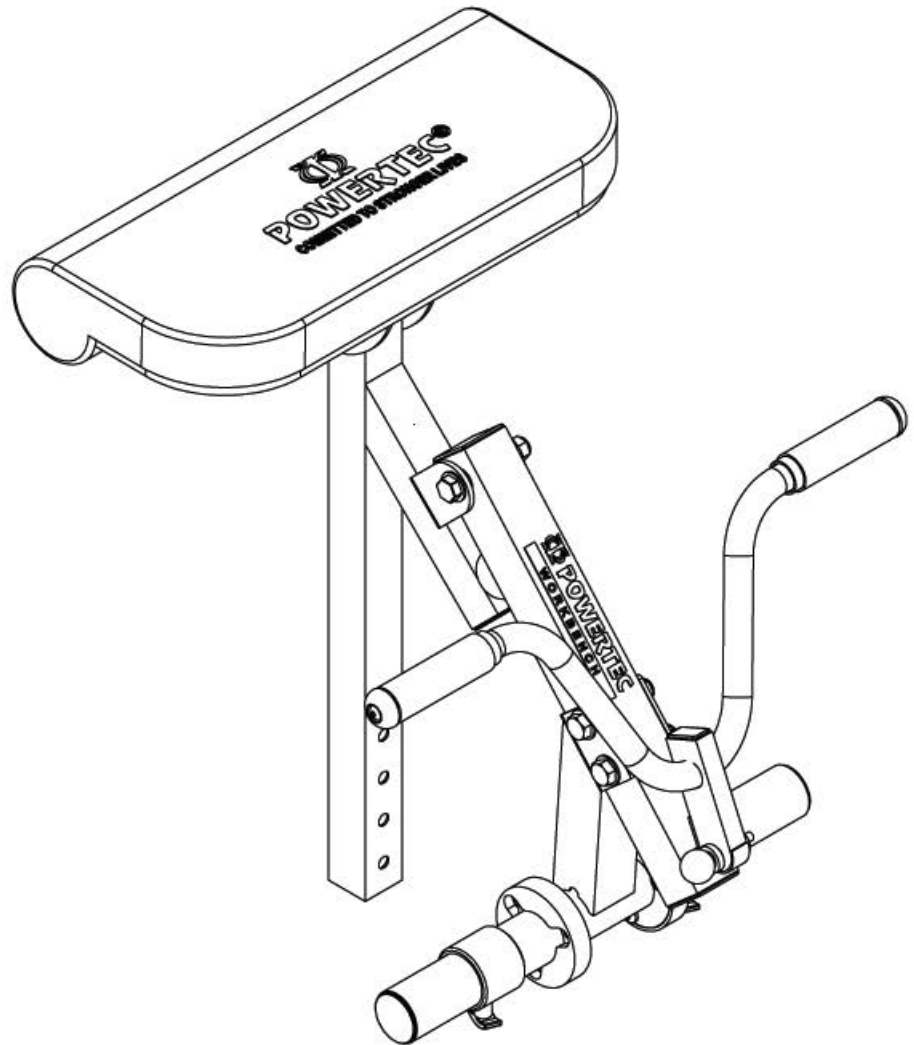


 **POWERTEC®**

WB-CMA16

Manual



WORKBENCH CURL MACHINE ACCESSORY



Thank you for purchasing your new Powertec equipment.
To maximize the use of this Equipment, please take a moment to study, understand and familiarize with the assembly instructions and follow the sequence of steps as provided in the manual.

Because of our products unique features, this manual was created to provide you with information on how to assemble and properly maintain your equipment.

Table of Contents

Introduction and Weight Capacities.....	2
Safety Instructions, Warnings and Cautions	3
Maintenance Tips.....	4
Tools Required for Assembly.....	5
Hardware List.....	6
Exploded Diagram.....	7
Assembly Steps.....	8
Featured Exercises.....	9
Warranty Certificate.....	10
Warranty Registration Card.....	11

WB-CMA16 CURL MACHINE ACCESSORY

Weight Capacities
Maximum Load: 200 lbs.

Featured Exercises
Bicep Curls Row Pulls

Other Recommended Powertec Accessories

WB-LTA16	Lat Tower Accessory	WB-LPA16	Leg Press Accessory
WB-DMA16	Dip Machine Accessory	WB-LLA16	Leg Lift Accessory
WB-PFA16	Pec/Fly Accessory	WB-ASR16	Accessory Storage Rack

SAFETY INSTRUCTIONS, WARNINGS AND CAUTIONS



It is recommended that users of this equipment receive a thorough medical exam before commencing any exercise program. This is especially important if you have never Exercised and or are over the age of 35, are pregnant or suffer from any health issues.

Read All Warnings and Cautions on this Manual and on the Product

This product should only be used after a thorough review of the Owner's Manual.

Keep children away from the product when in use.

Set up and operate the product on a solid level surface.

Do not set up the product on loose rugs or uneven surfaces.

Make sure adequate space is available to exercise and move around the product.

Inspect product before and after each use, inspect for worn out or loose parts, repair or replace as needed.

This equipment meets industry safety standards for stability when used for the intended exercise. Do not allow straps, resistance bands or other means to be attached to the framework of this equipment to perform stretching or body weight exercises as it can result to equipment instability and lead to serious injuries.

Always choose a workout that best fits your needs, physical strength and flexibility Levels, know your limits and your product limits and train within them.

Always wear proper footwear with nonskid rubber soles such, running, walking or Cross training shoes that fit well and provide support.

Do not exercise bare foot or in socks.

Always use common sense when exercising.



MAINTENANCE



The safety and performance of this product can be maintained only if it is examined regularly for damage and normal wear. Examine the equipment before each use for damage and wear. Replace damaged and worn components immediately or put the equipment out of use until repaired.

Inspect Daily / Before Each Use!

Inspect system. Make sure it is in good condition and operates smoothly. If you find damage, **DO NOT USE**. Contact your authorized Powertec dealer or Powertec Customer Service Center for assistance.

Inspect Daily / After Each Use!

Clean system with a clean, dry cloth. Use a mild detergent or spray on upholstery. Do Not use cleansers containing enzymes.

Inspect Weekly!

Clean your system fully with a clean and ammonia based cleaner. Touch up any scratches with touch-up paint to prevent rust, if necessary.

Inspect Monthly!

Examine the frame for signs of cracking or permanent bending. Do not use the equipment if you see this. Contact Powertec Customer Service Immediately. If you have any questions on the correct use or maintenance of this equipment, call your authorized distributor or Powertec Customer Service at 800-250-6665

Our Customer Service Mission:

“Committed to Stronger Lives”

By providing friendly and understanding service.

Tools Required for Assembly

 POWERTEC®



M6 Allen Wrench

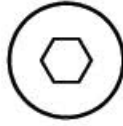
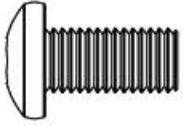


Wrenches
13 mm = 1/2"
19 mm = 3/4"
21 mm = 13/16"

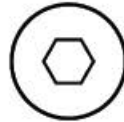
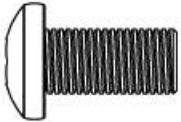


8" Adjustable Wrench

HARDWARE LIST



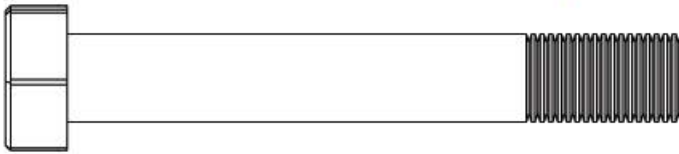
No.11 3/8" x 3/4" 3 pcs



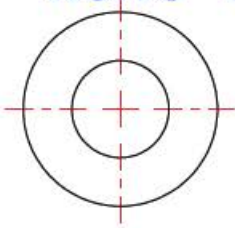
No.17 3/8" x 3/4" (GR8) 6 pcs



No.12 1/2" x 3 1/8" 3 pcs



No.13 1/2" x 3 1/2" 1pc



No.14 1/2" 8 pcs No.15 1/2" 4 pcs



No.19 3/8" 6 pcs

WB-CMA16

WORKBENCH CURL MACHINE ACCESSORY

PARTS LIST



WB-CMA13

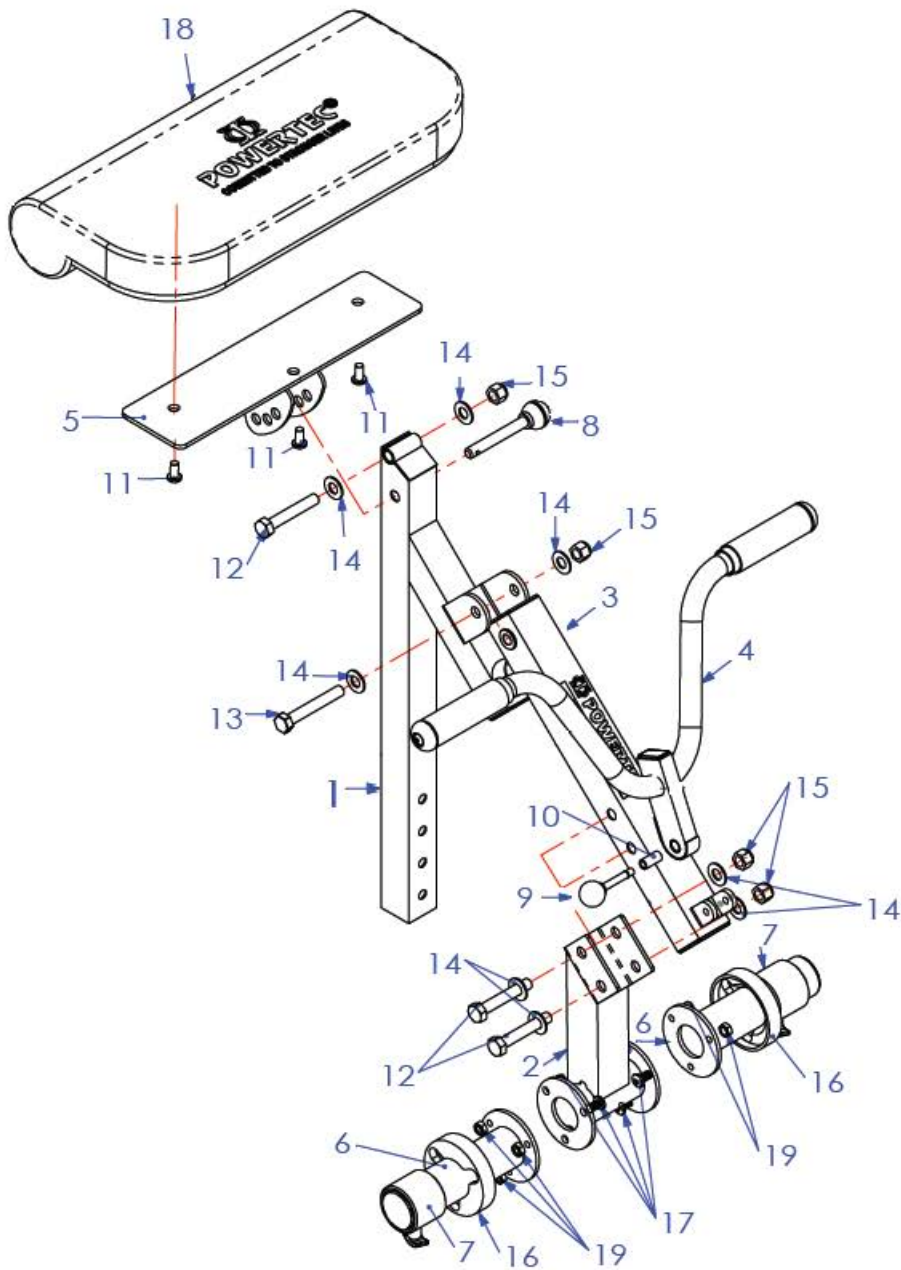
Part#	Description	QTY
1	Upright	1
2	Weight Horn Tube	1
3	Linkage Tube	1
4	Curl Handle Bar	1
5	Arm Curl Pad Tube	1
6	Weight Horn	2
7	Collar	2
8	Lg. Ball Head Lock Pin	1
9	Sm. Ball Head Lock Pin	1
10	Bushing	1
11	Hex Bolt 3/8" x 3/4"	3
12	Hex Bolt 1/2" x 3 1/8"	3
13	Hex Bolt 1/2" x 3 1/2"	1
14	Washer 1/2"	8
15	Nylon Nut 1/2"	4
16	Rubber Bumper	2
17	Hex Bolt 3/8" x 3/4"	6
18	Arm Pad	1
19	Nylon Nut 3/8"	6

WB-CMA16

WORKBENCH CURL MACHINE ACCESSORY

EXPLODED DIAGRAM

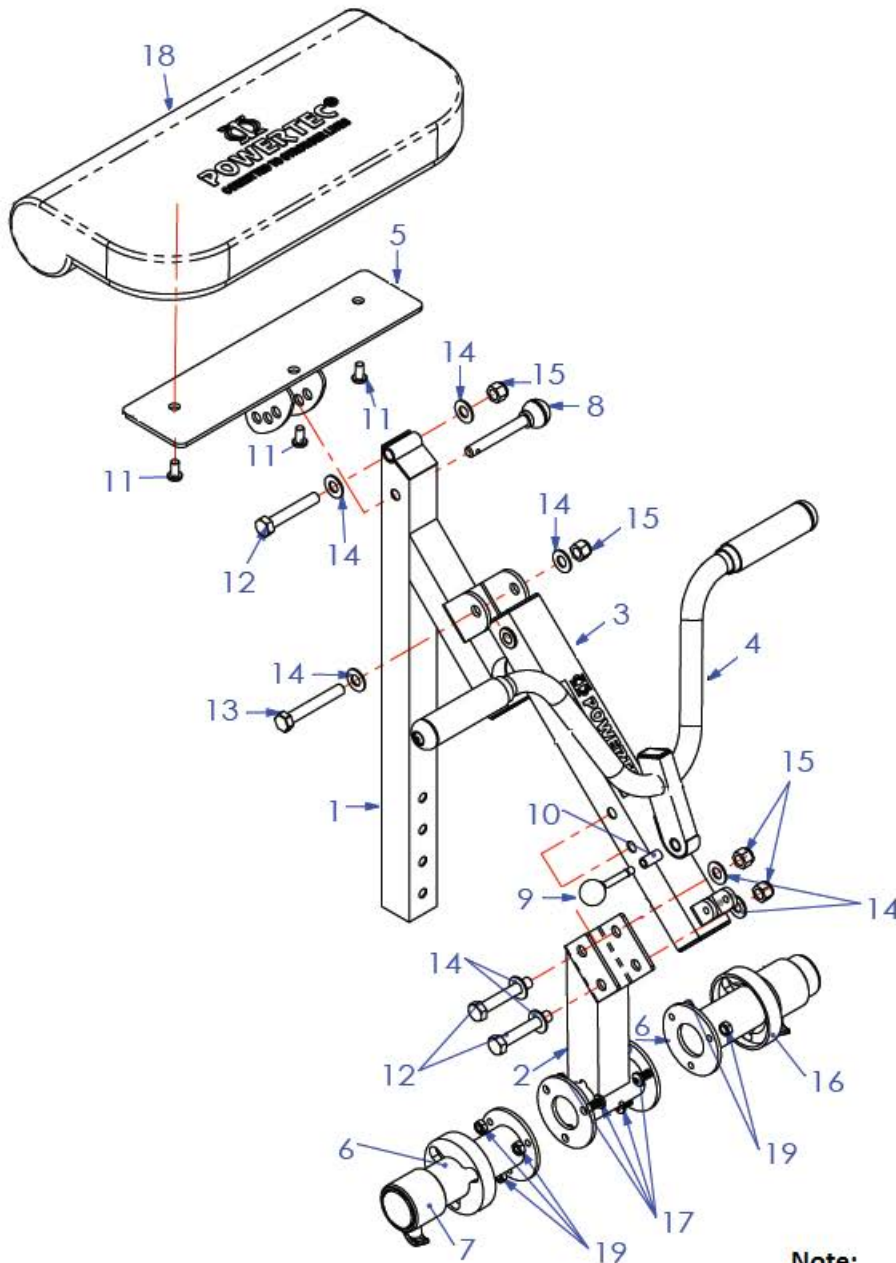
POWERTEC[®]



WB-CMA16

WORKBENCH CURL MACHINE ACCESSORY

Assembly Instructions



Step 1
Attach Arm Pad No. 18 to Arm Pad Tube No. 5 Use Bolts No. 11

Step 2
Install Arm Pad Tube No. 5 to Upright No. 1 Use Bolt No. 12, Washers No. 14 and Nut No. 15

Step 3
Attach Linkage Tube No. 3 to Up-Right No. 1 use Bolt No. 13 Washers No. 14 and Nut No. 15

Step 4
Attach Weight Horn Tube No. 2 to Linkage Tube No. 3 use Bolts No. 12, Washers No. 14 and Nuts No. 15, proceed and Install Weight Horns No. 6 using Bolts No. 17 and Nuts No. 19

Note:
Install Curl Handle Bar using Small Ball Head Lock Pin No. 9
To Adjust Angle of Arm Curl Pad, Use Large Ball Head Lock Pin No. 8 and Set at desired position.

POWERTEC®

WB-CMA16

WORKBENCH CURL MACHINE ACCESSORY

WARRANTY

Serial No.

Thank you for purchasing one of Powertec's products.

Powertec warrants that the Product you have purchased is free from defects in materials and workmanship.

Powertec offers a Lifetime Warranty on Structural Frame.(Excludes Surface Finish).
5 year warranty on Moving Frames (Press Arms and other unspecified moving components).
Two year warranty on Components (Bearings, Locking Pins, Pulleys, Cables, Slide Rods).
One year warranty on Pads, Grips and other unspecified parts.

- All parts are shipped free of charge for first 90 days of date of purchase.
- Warranty is to original purchaser only (excluding dealer). Warranty is not Transferable in the event you sell the product.
- Warranty claims are subject to inspection and are voided if equipment shows Signs of abuse or alterations made other than the ones recommended by Powertec.
- Missing parts must be reported within 30 days from receipt of unit(s).
- Proof of purchase is required; your sales receipt must show date of purchase.
- For more information on the warranty or to obtain warranty service, please contact The appropriate Powertec Customer Service Department in the USA or Europe.

Powertec Inc. USA
2100 E. Artesia Boulevard
Long Beach, CA. 90805 – USA

Powertec Europe
6, Rue de l'Europe
68500 Bergholtz - France

Phone: (800) 250-6665
E-mail: service@powertecfitness.com

Phone: + 33 (0) 3 89 62 56 30
E-mail: contact@powertec-europe.fr

Thank you for giving us the opportunity to fulfill your strength and fitness needs.

POWERTEC® Customer Warranty Information Sheet

Last Name: _____ First Name: _____

Company: _____

Street Address: _____

City: _____ State: _____ Zip Code: _____

Daytime Telephone No: _____ Alternate Telephone No. _____

E-Mail: _____ Date of Purchase: _____ Purchase Price: _____

Dealer Name and Address: _____

Model Name & Code: _____ Optional: Male / Female: ____ Age: ____ Occupation: _____

POWERTEC IS NOT LIABLE IF THE TRAINER SHOULD INJURE THEMSELVES WHILE USING POWERTEC EQUIPMENT OR WHILE PERFORMING THE TRAINING ROUTINE



COMMITTED TO STRONGER LIVES[®]

POWERTEC INC.
2100 East Artesia Boulevard
Long Beach, CA. 90805 - USA

Phone: (800) 250-6665
Fax: (714) 908-0493
service@powertecfitness.com
www.powertecfitness.com

POWERTEC EUROPE
6, Rue de l'Europe
68500 BERGHOLTZ - France

Phone: + 33 (0) 3 89 625 630
Fax: + 33 (0) 3 89 625 631
E-mail: contact@powertec-europe.fr

Return Warranty Registration Card to Appropriate Powertec Address:



Place
Stamp
Here



